

# Elide Fire USA® Extinguishing Fire Ball

This self-activating device is designed to extinguish fire when activated by flame. The Elide Fire USA® Extinguishing Fire Ball is not a replacement for fire extinguishers or suppression systems, but intended as an additional line of defense.

## Product features

The lightweight fire ball can be placed indoors or outdoors to provide 24/7 property protection.

- Extinguishes types A, B, and C fires
- Activation time is 3-5 seconds when exposed to flame
- Covers 60 sq. ft. when activated
- Light and portable (6 in. diameter and approximately 3 lbs.)
- Life span of 7-10 years
- Non-toxic and environmentally friendly
- Includes bracket for installation
- 5-year warranty through Elide Fire USA

## Frequently asked questions

### Where should the fire balls be placed?

The Extinguishing Fire Ball can be installed indoors and outdoors anywhere there is concern for fire, including commercial and farm applications such as:

- Barn exhaust fans
- Chemical storage areas
- Drying rooms
- Dumpster and trash containers
- Electrical cabinets and transformer rooms
- Farm equipment, such as combines
- Outbuildings
- Silos

### Watch the Extinguishing Fire Ball in action.



### At what temperature does the ball activate?

Heat does not activate the Extinguishing Fire Ball — the ball only activates when it's exposed to flame.

### What is the recommended temperature for storing and installing?

Elide Fire recommends storing and installing the Extinguishing Fire Ball in areas that do not exceed -40°F and 200°F. If stored outside of that temperature range, the ball will not activate but components can begin to degrade and result in a less effective product activation.

### Is the activation process dangerous?

No, the activation process is not dangerous. Within 3-10 seconds of activating, you will hear a loud noise which also acts as an alert system. The Extinguishing Fire Ball's polystyrene shell is lightweight and the dry chemicals inside are non-toxic and eco-friendly.

### Does it need to be refilled or serviced?

No, the Extinguishing Fire Ball is not pressurized and does not require any maintenance or service.

Learn more about the Extinguishing Fire Ball at [secura.net/fire-ball](https://secura.net/fire-ball), or reach out directly to your SECURA risk management consultant.



*Disclaimer: The Extinguishing Fire Ball is not UL-certified, and not intended to replace existing fire suppression tools or systems. The information and recommendations contained in this material have been obtained from sources believed to be reliable. However, SECURA accepts no legal responsibility for the accuracy, sufficiency, or completeness of such information. Additional safety and health procedures may be required under particular circumstances.*

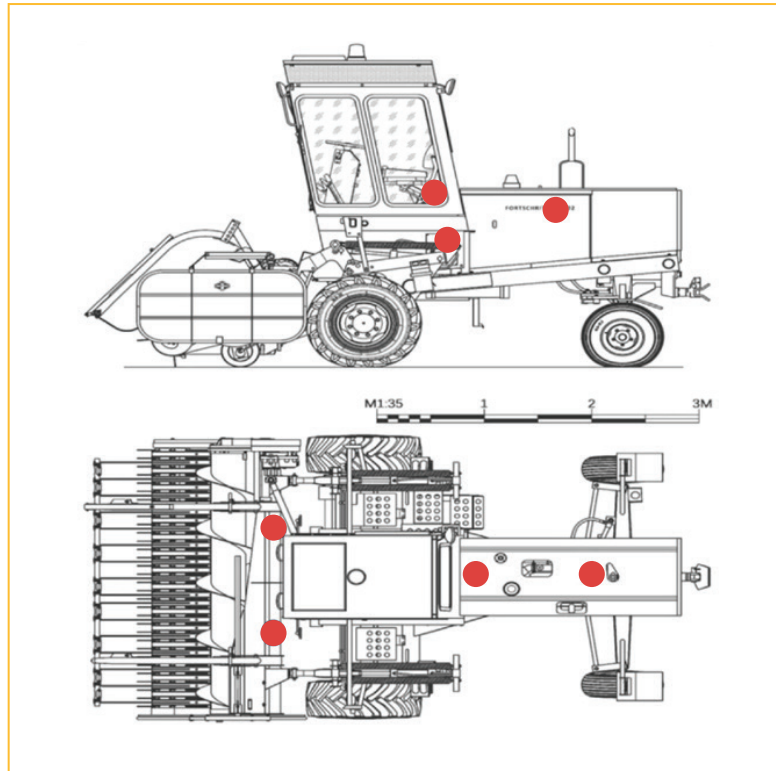
Learn more at [secura.net/fire-ball](https://secura.net/fire-ball)



# Elide Fire USA® Extinguishing Fire Ball

## Installation recommendations for farms

In addition to installing throughout outbuildings, barn exhaust fans, silos, and storage areas, the Extinguishing Fire Ball can be installed on farm equipment, such as combines. On this type of equipment, it's recommended to install two balls in the engine compartment on opposite sides, and one ball in the cab.



Learn more at [secura.net/fire-ball](https://secura.net/fire-ball)

